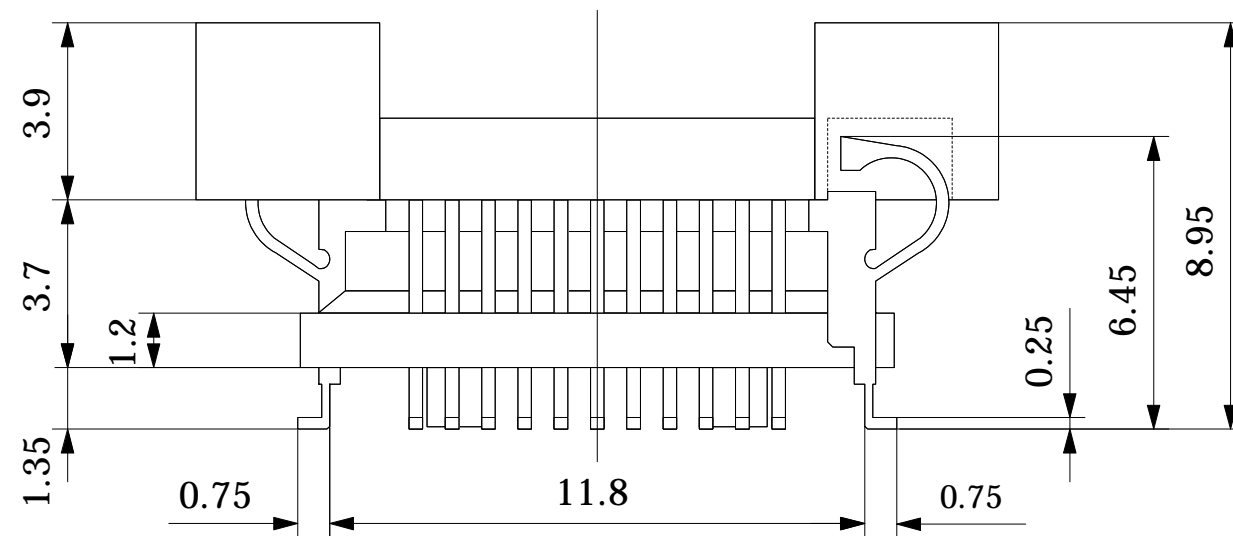


* Applicable size of IC package : IC body size 10.0 x 10.0 mm
IC outer size 13.2 x 13.2 mm



Part No.	NQPACK044SA132	
IC package	Square	
Pin count	44Pin	
Lead pitch	0.8mm	
Unit : mm	Design : M.H	
TET TOKYO ELETECH CORP.		