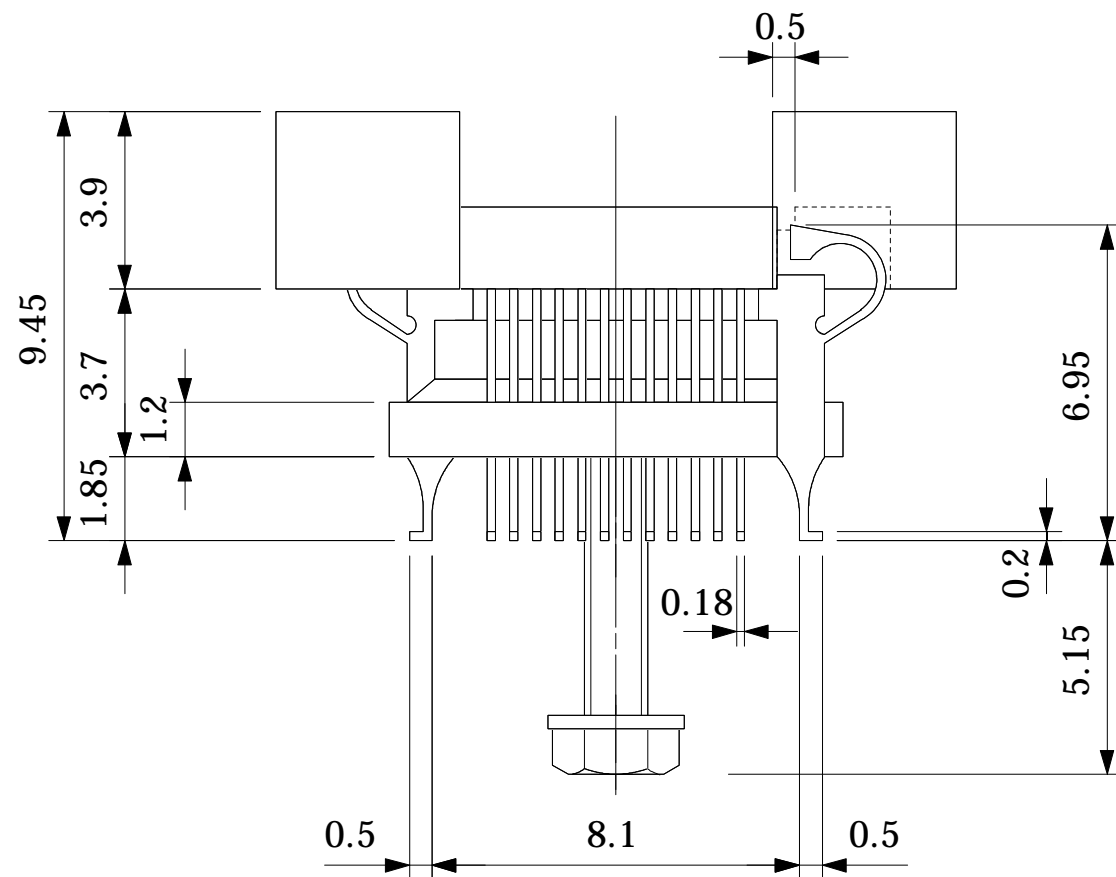


2- ϕ 1.3 (A projection height : 1.8mm)

BOTTOM VIEW



Part No.	NQPACK048SD-SL	
IC package	Square	
Pin count	48Pin	
Lead pitch	0.5mm	
Unit : mm	Design : M.H	
TET TOKYO ELETECH CORP.		