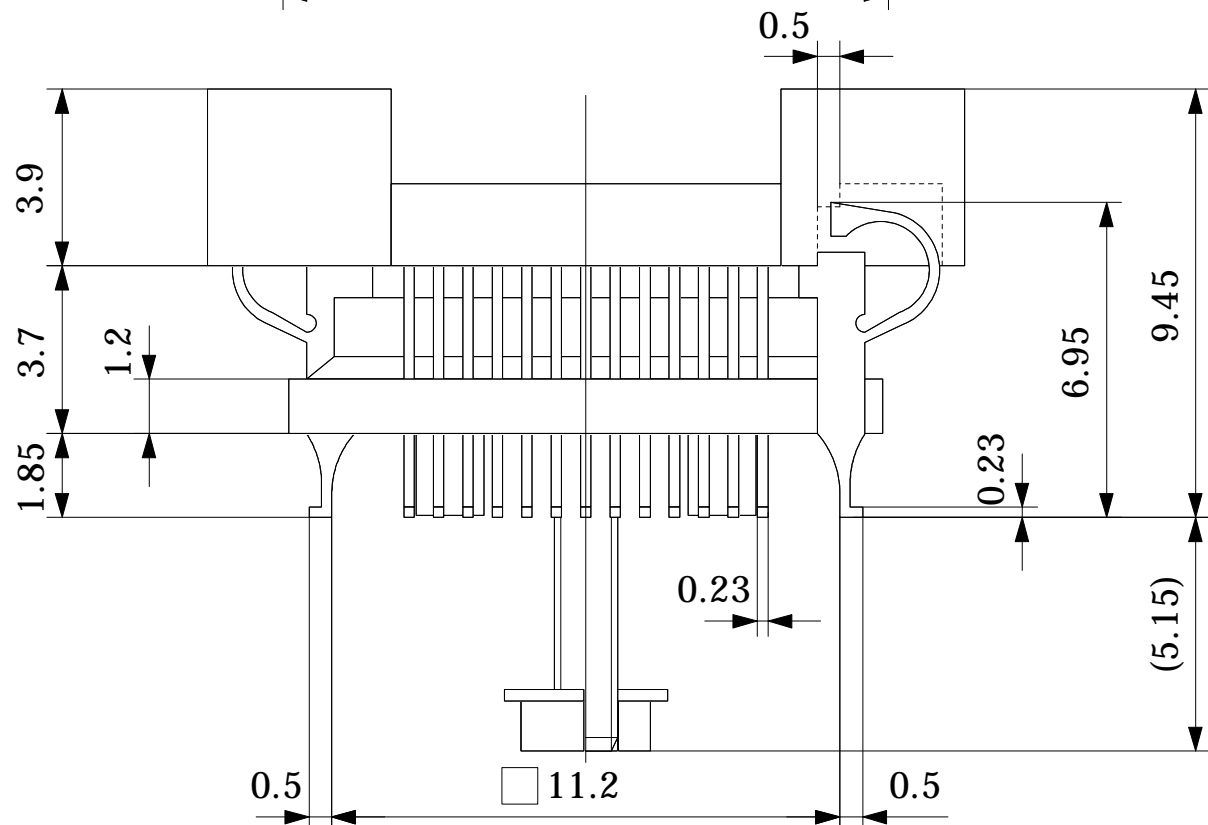
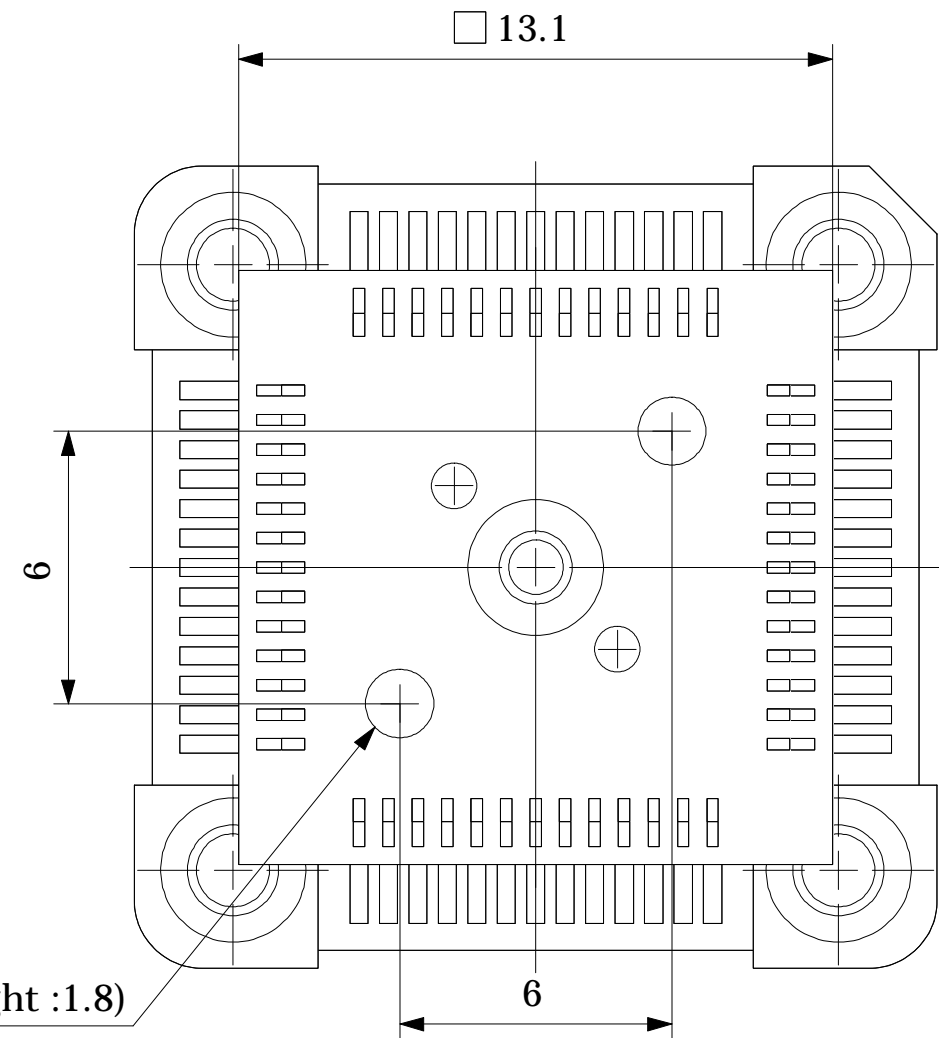


2-Ø1.5 (A projection height : 1.8)



\* Applicable size of IC package : IC body size 10.0 x 10.0 mm  
IC outer size 12.0 x 12.0 mm

Part No.	<b>NQPACK052SB-SL</b>	
IC package	Square	
Pin count	52Pin	
Lead pitch	0.65mm	
Unit : mm	Design : M.H	
<b>TET</b> TOKYO ELETECH CORP.		