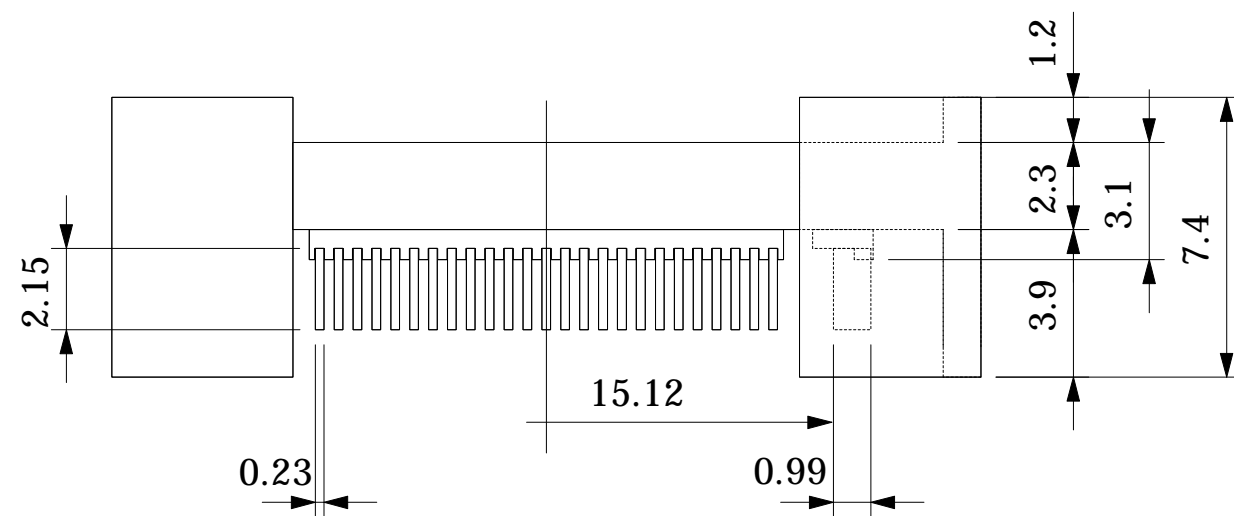


* Applicable size of IC package : IC body size 14.0 x 14.0 mm
IC outer size 16.0 x 16.0 mm



Part No.	HQPACK100SD	
IC package	Square	
Pin count	100Pin	
Lead pitch	0.5mm	
Unit : mm	Design : M.H	
TET TOKYO ELETECH CORP.		