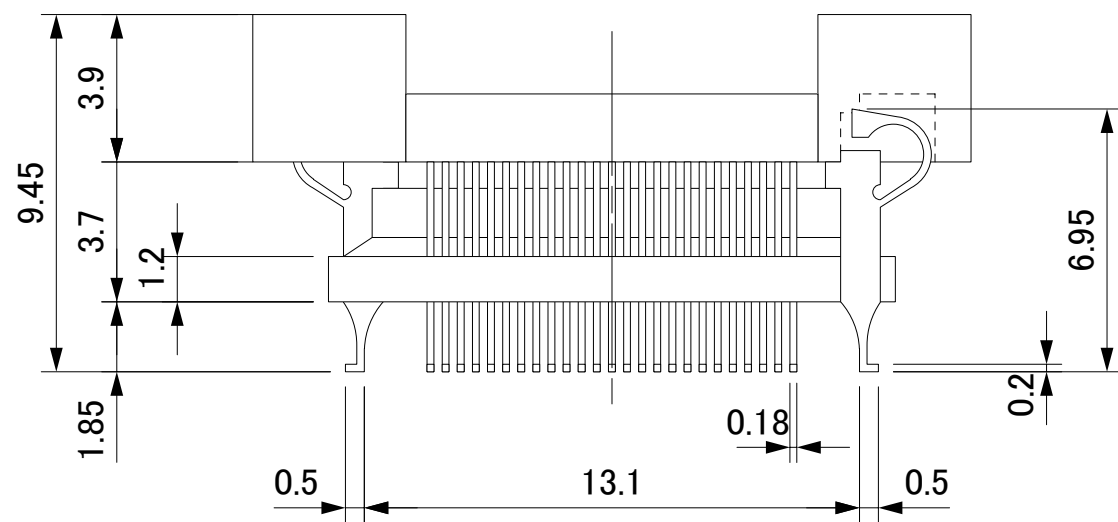


BOTTOM VIEW



Part No.	<b>NQPACK100SE</b>
IC package	Square
Pin count	100Pin
Lead pitch	0.4mm
Unit	mm
Design / Date	H.Suzuki/May.16.'06
<b>TET</b> TOKYO ELETECH CORP.	