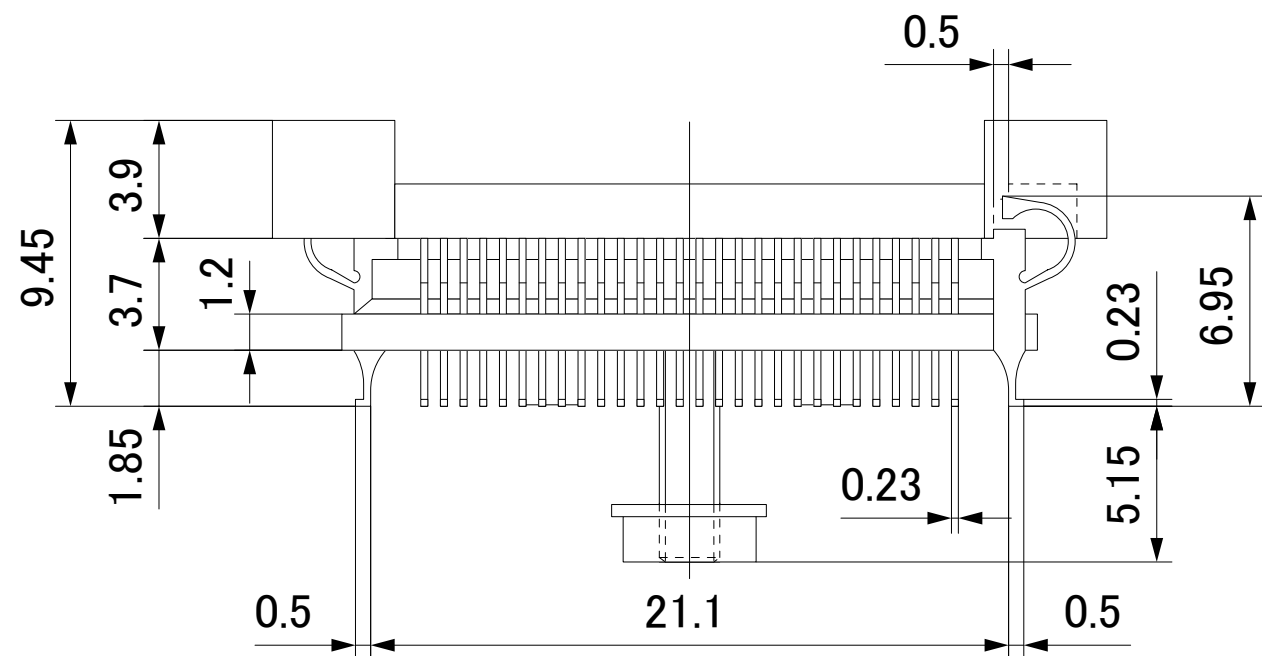


BOTTOM VIEW



Part No.	NQPACK112SB-SL
IC package	Square
Pin count	112Pin
Lead pitch	0.65mm
Unit	mm
Design / Date	H.Suzuki/May.16.'06
TET TOKYO ELETECH CORP.	