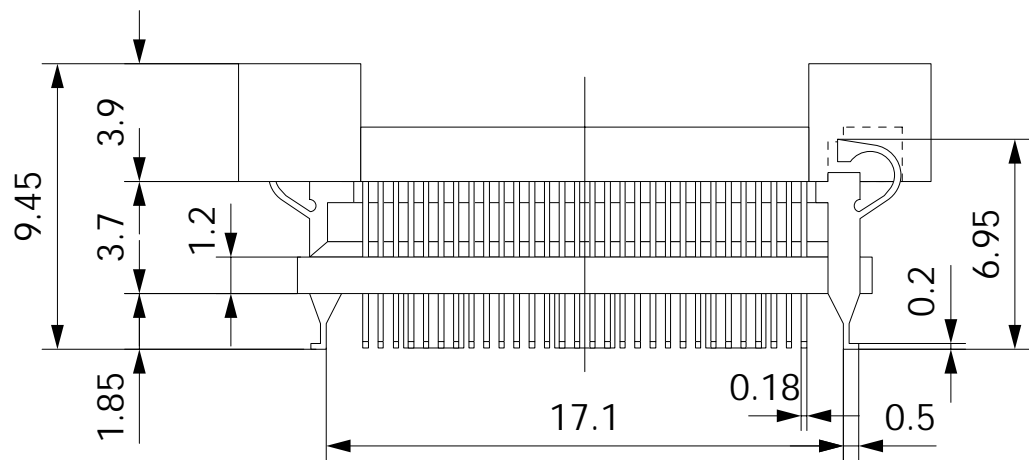


\* Applicable size of IC package : IC body size 16.0 x 16.0 mm  
IC outer size 18.0 x 18.0 mm



Part No.	<b>NQPACK120SD</b>	
IC package	Square	
Pin count	120Pin	
Lead pitch	0.5mm	
Unit : mm	Design : M.H	
<b>TET</b> TOKYO ELETECH CORP.		