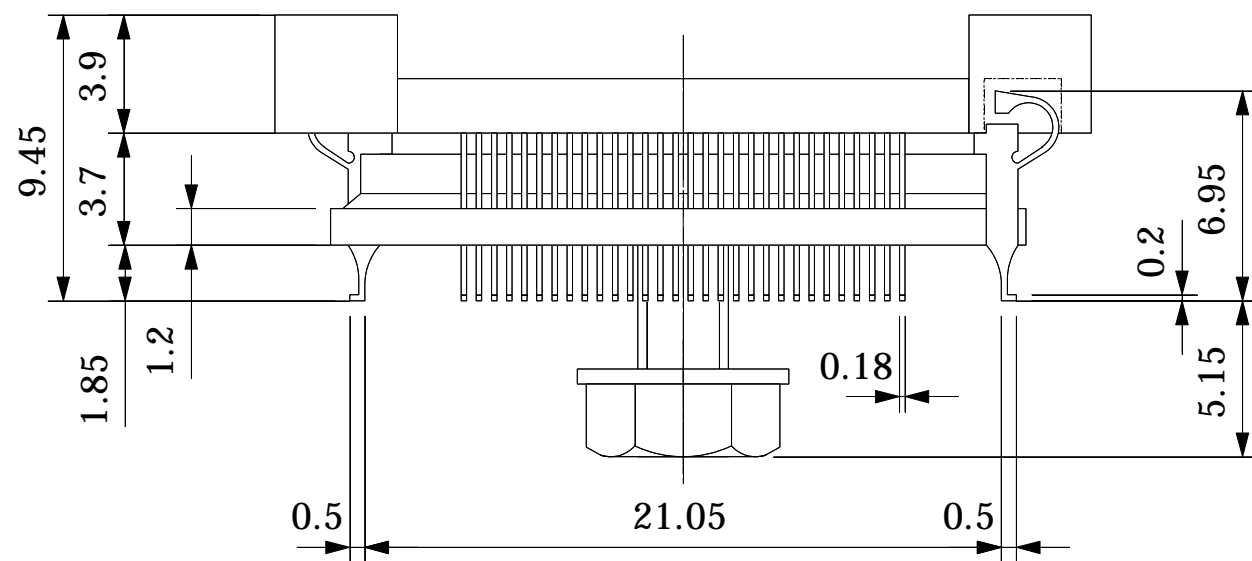


4-φ2.0 (A projection height : 1.8mm)

**BOTTOM VIEW**



Part No.	<b>NQPACK120SD220-SL</b>	
IC package	Square	
Pin count	120Pin	
Lead pitch	0.5mm	
Unit : mm		Design : M.H
<b>TET</b> TOKYO ELETECH CORP.		