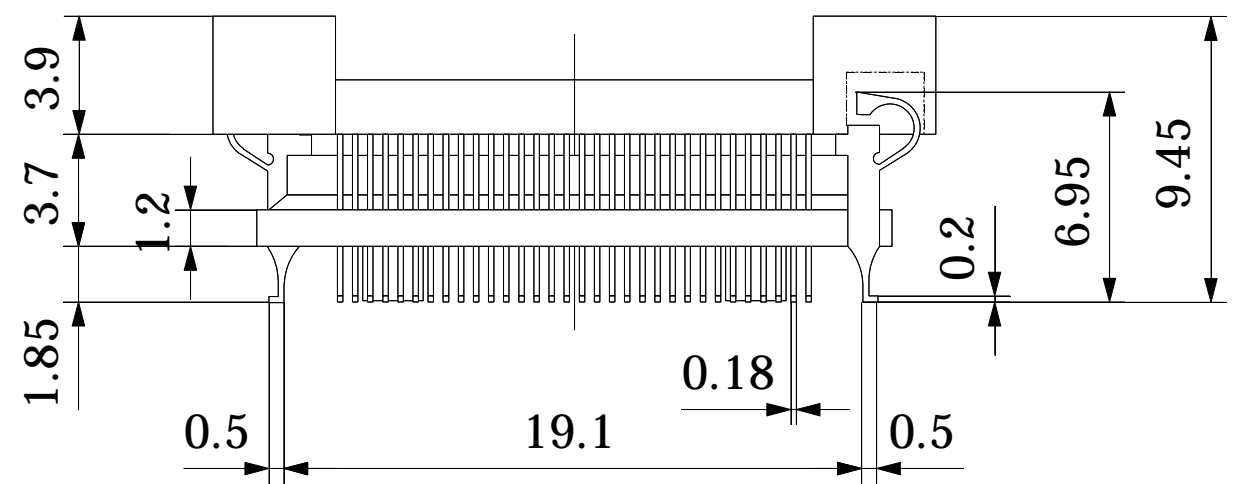


BOTTOM VIEW



Part No.	NQPACK128SD	
IC package	Square	
Pin count	128Pin	
Lead pitch	0.5mm	
Unit : mm	Design : M.H	
TET TOKYO ELETECH CORP.		