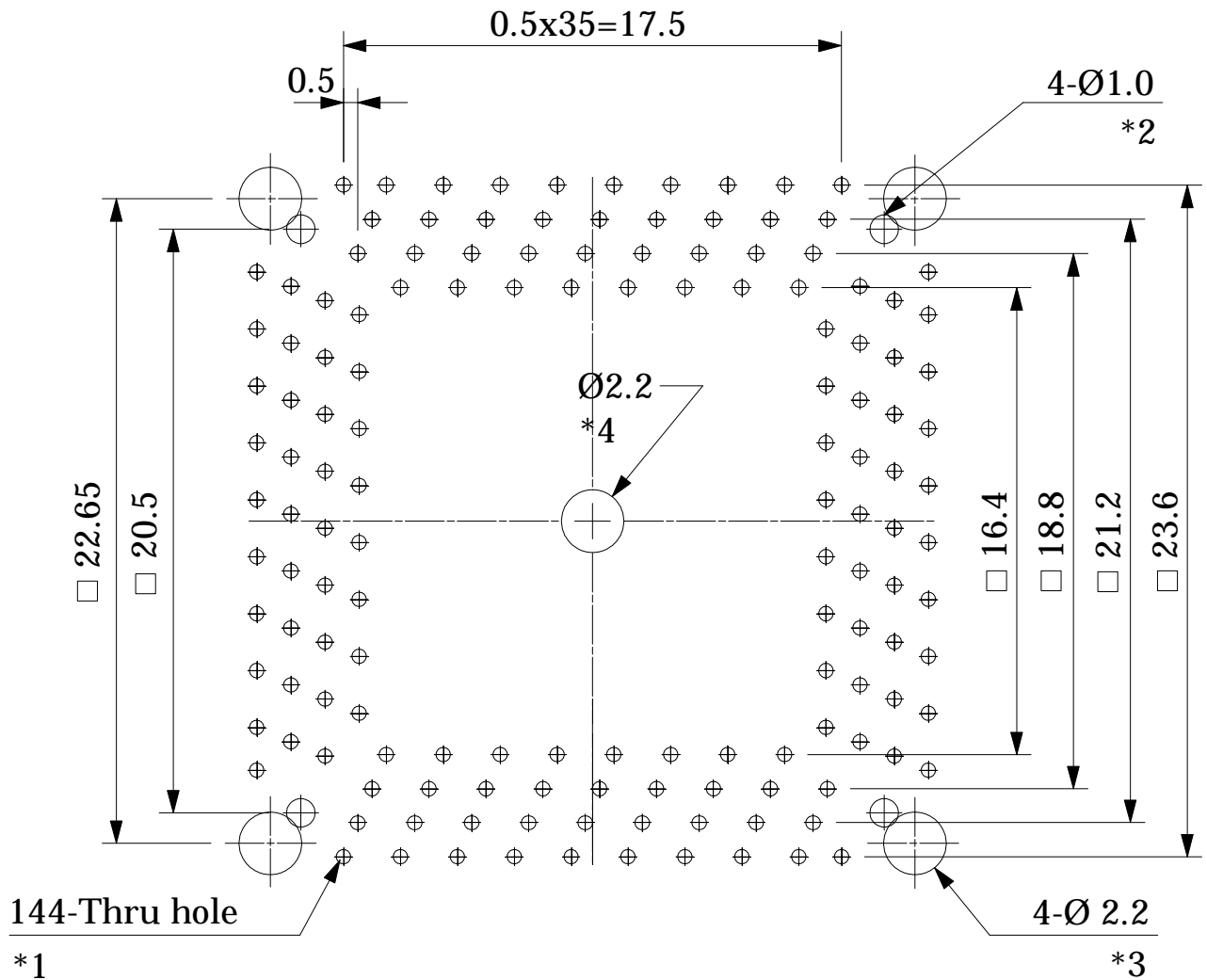


# Recommended a PWB layout of TQSOCKET/YQSOCKET144SD Series



## NOTES:

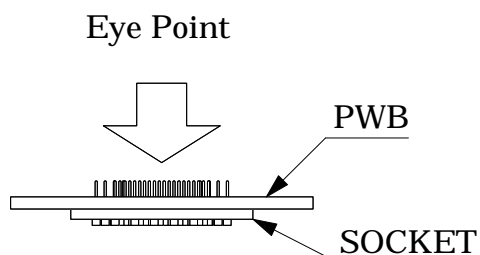
\*1  $\oplus$  mark is through hole.

The diameter is 0.5mm after plating copper on the hole.

\*2 TQSOCKET guide pin hole and location.

\*3 YQSOCKET guide pin hole and location.

\*4 Screw hole and location for fastening TQSOCKET.



Part No.	<b>TQ/YQ144SD</b>	
IC package	Square	
Pin count	144Pin	
Lead pitch	0.5mm	
Unit : mm	Design : M.H	
<b>TET</b> TOKYO ELETECH CORP.		