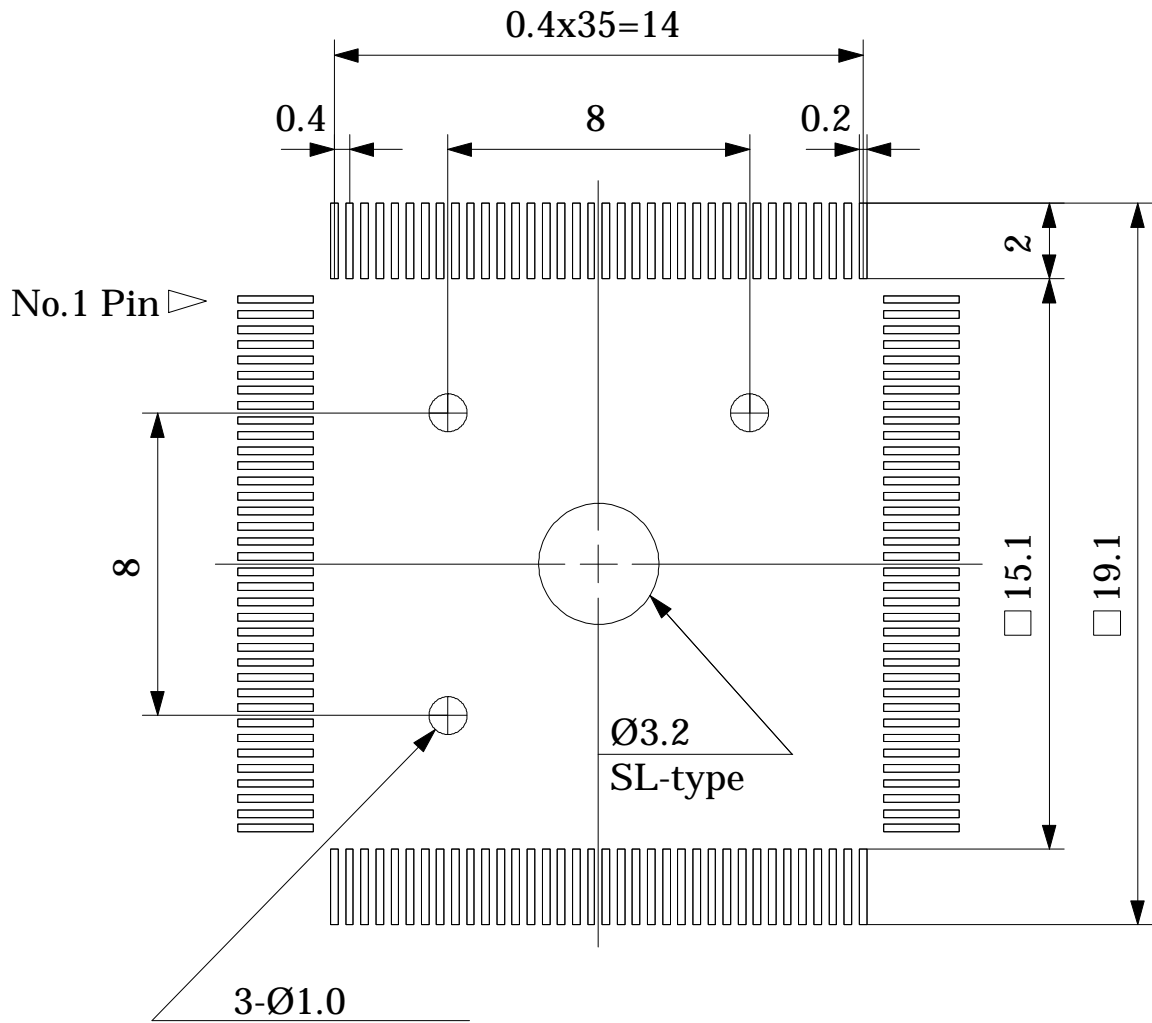


**Recommended a Footprint pattern of NQPACK144SE**



\* Recommended foot pattern shown on left is for NQPACK soldering.  
But please refer to IC package foot pattern recommended by IC manufacturer  
also, when the package is soldered on the same foot pattern.

|                                |                    |
|--------------------------------|--------------------|
| Part No.                       | <b>NQPACK144SE</b> |
| IC package                     | Square             |
| Pin count                      | 144Pin             |
| Lead pitch                     | 0.4mm              |
| Unit : mm                      | Design : M.H       |
| <b>TET</b> TOKYO ELETECH CORP. |                    |