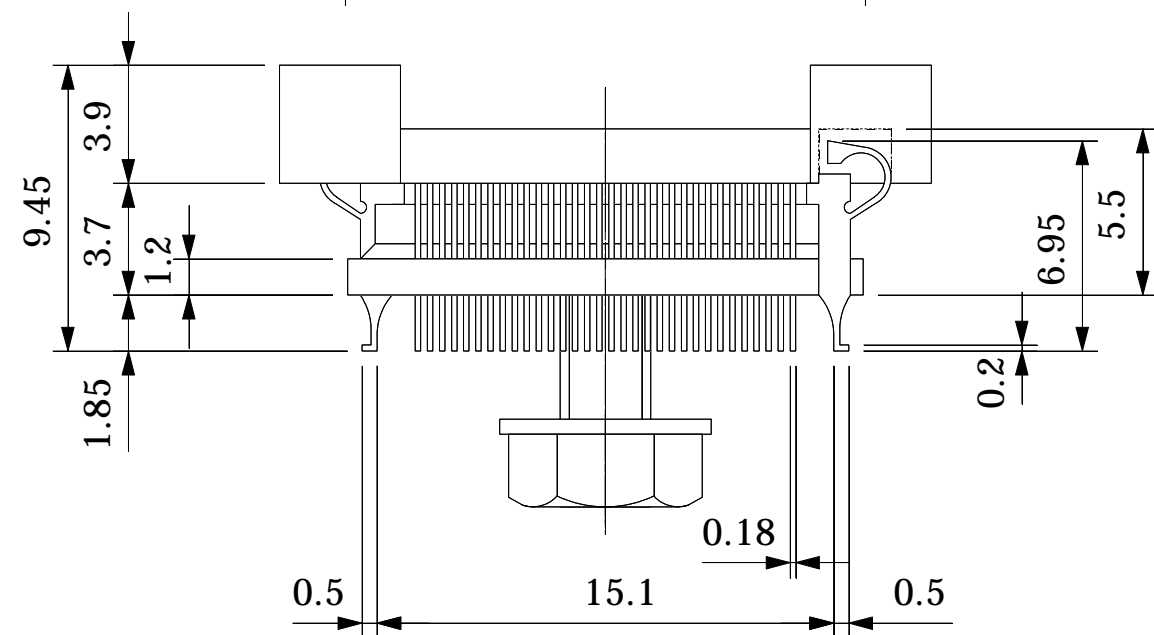


4-ø2.0 (A projection height : 1.8mm)

**BOTTOM VIEW**



Part No.	<b>NQPACK156RE-SL</b>
IC package	Rectangle
Pin count	156Pin
Lead pitch	0.4mm
Unit : mm	Design : M.H
<b>TET</b> TOKYO ELETECH CORP.	