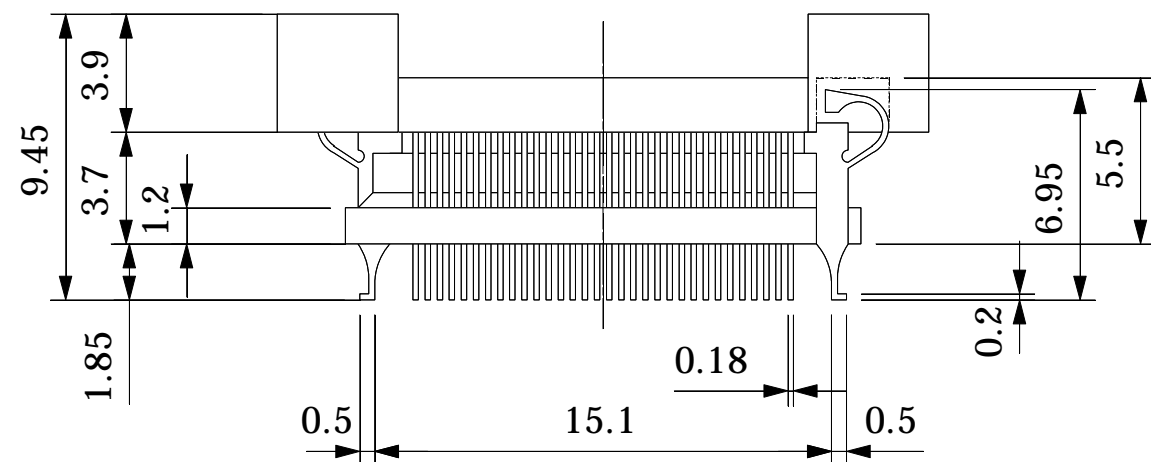


4-ø2.0 (A projection height : 1.8mm)



Part No.	NQPACK156RE	
IC package	Rectangle	
Pin count	156Pin	
Lead pitch	0.4mm	
Unit : mm	Design : M.H	
TET TOKYO ELETECH CORP.		