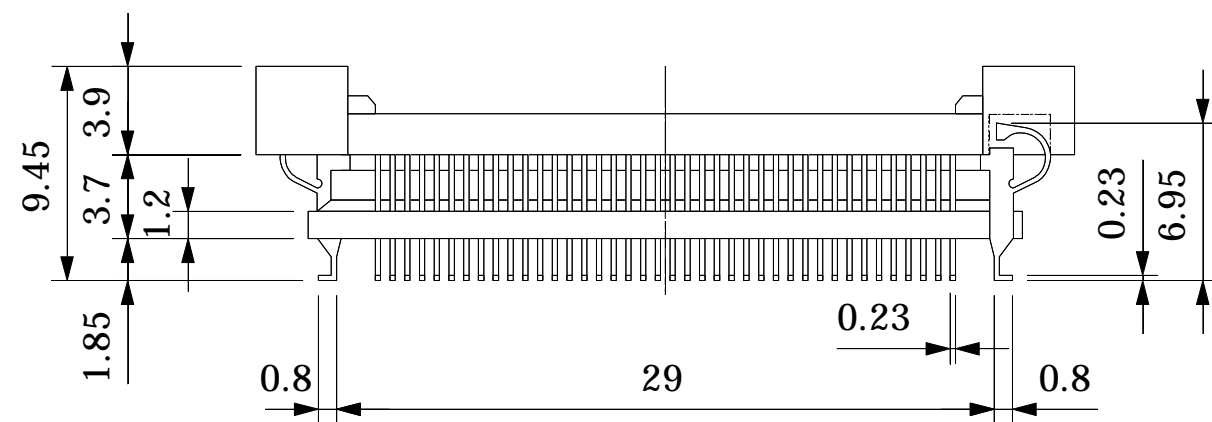


**BOTTOM VIEW**



4-ø2.0 (A projection height : 1.8mm)

Part No.	<b>NQPACK160SB</b>
IC package	Square
Pin count	160Pin
Lead pitch	0.65mm
Unit : mm	Design : M.H
<b>TET</b> TOKYO ELETECH CORP.	