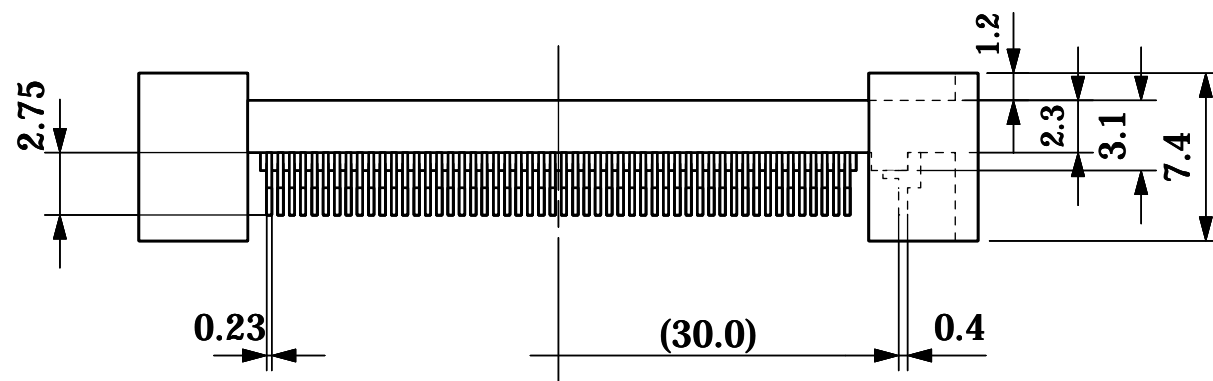


* Applicable size of IC package : IC body size 28.0 x 28.0 mm
 IC outer size 30.6 x 30.6 mm
 IC height less than 3.8mm



Part No.	HQPACK208SD306H
IC package	Square
Pin count	208Pin
Lead pitch	0.5mm
Unit	mm
Design / Date	S.M/Apr.02.'10
<i>TET</i> TOKYO ELETECH CORP.	