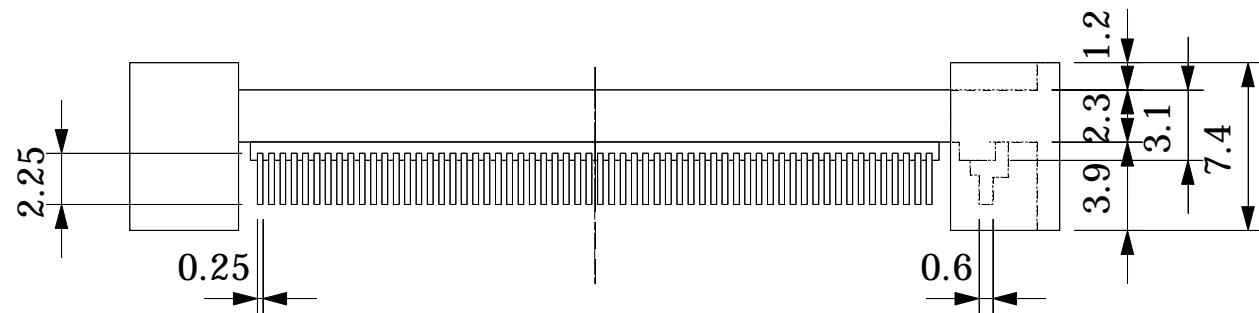


**BOTTOM VIEW**



Part No.	<b>HQPACK240SD</b>
IC package	Square
Pin count	240Pin
Lead pitch	0.5mm
Unit : mm	Design : M.H
<b>TET</b> TOKYO ELETECH CORP.	