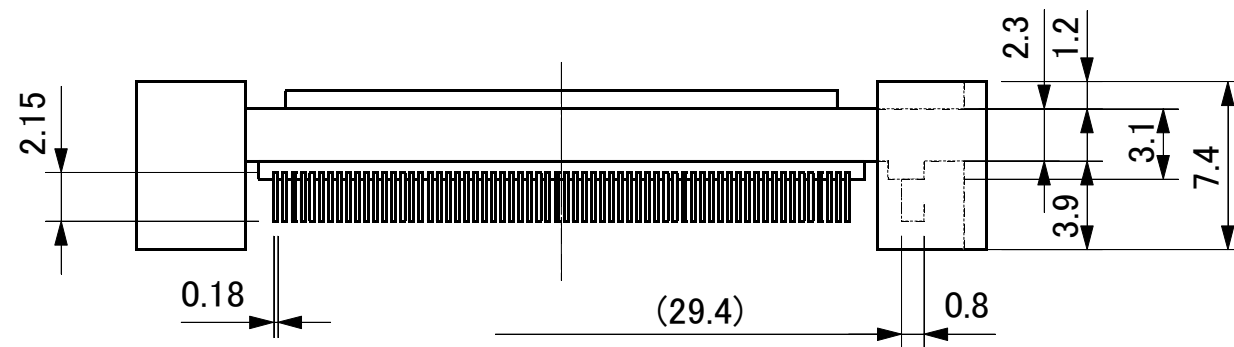


BOTTOM VIEW



Part No.	HQPACK256SE300
IC package	Square
Pin count	256Pin
Lead pitch	0.4mm
Unit	mm
Design / Date	H.Suzuki / Jan.16.'07
TET TOKYO ELETECH CORP.	