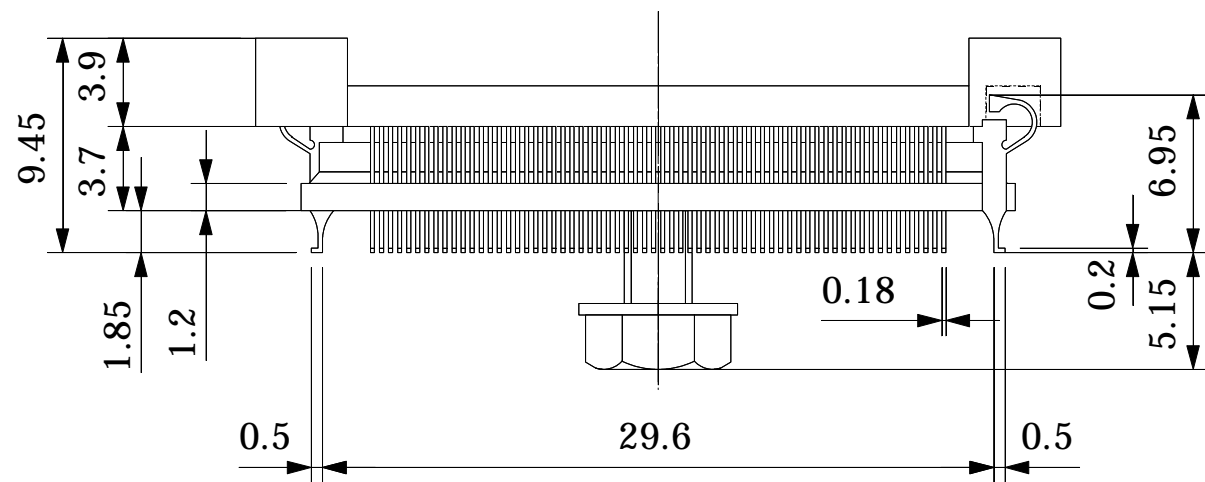


4-ø2.0 (A projection height : 1.8mm)

**BOTTOM VIEW**



Part No.	<b>NQPACK256SE-SL</b>	
IC package	Square	
Pin count	256Pin	
Lead pitch	0.4mm	
Unit : mm	Design : M.H	
<b>TET</b> TOKYO ELETECH CORP.		