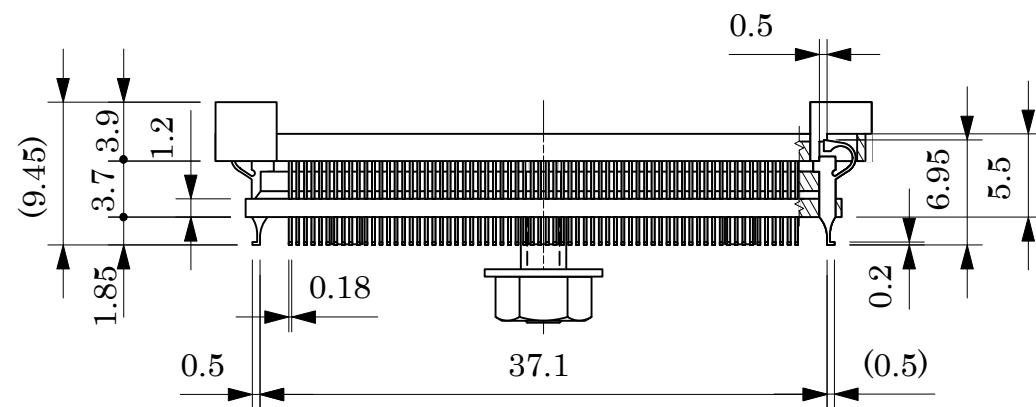


BOTTOM VIEW



Part No.	NQPACK272SD-SL	
IC package	Square	
Pin count	272Pin	
Lead pitch	0.5mm	
Unit : mm	Design : M.M	
TET TOKYO ELETECH CORP.		