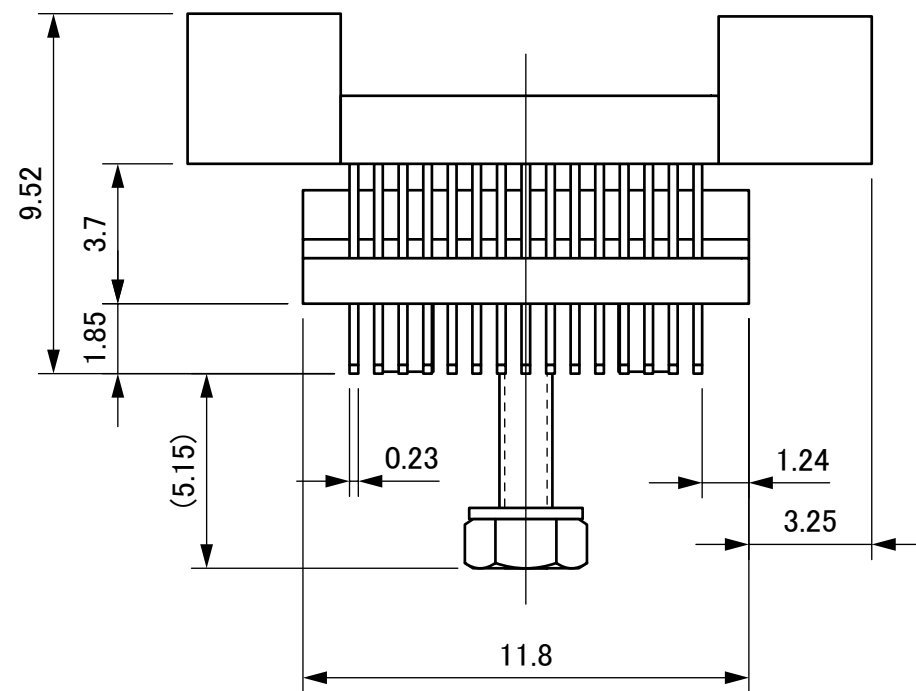


**\* NOTES**

Applicable size of IC package  
 IC body size 9.85x6.1  
 IC size 9.85x8.1



Part No.	<b>NSPACK30BK-SL</b>	
IC package	Rectangle	
Pin count	30Pin	
Lead pitch	0.65mm	
Unit : mm	Design : M.H	
<b>TET</b> TOKYO ELETECH CORP.		