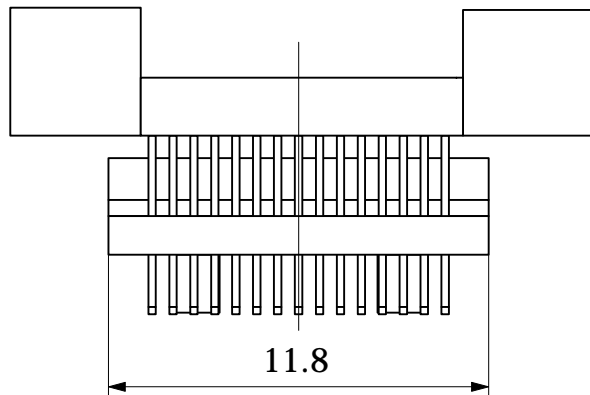


*** NOTES**

Applicable size of IC package

IC body size 9.85x6.1

IC size 9.85x8.1



Part No.	NSPACK30BK	
IC package	Rectangle	
Pin count	30Pin	
Lead pitch	0.65mm	
Unit : mm	Design : M.M	
TET TOKYO ELETECH CORP.		