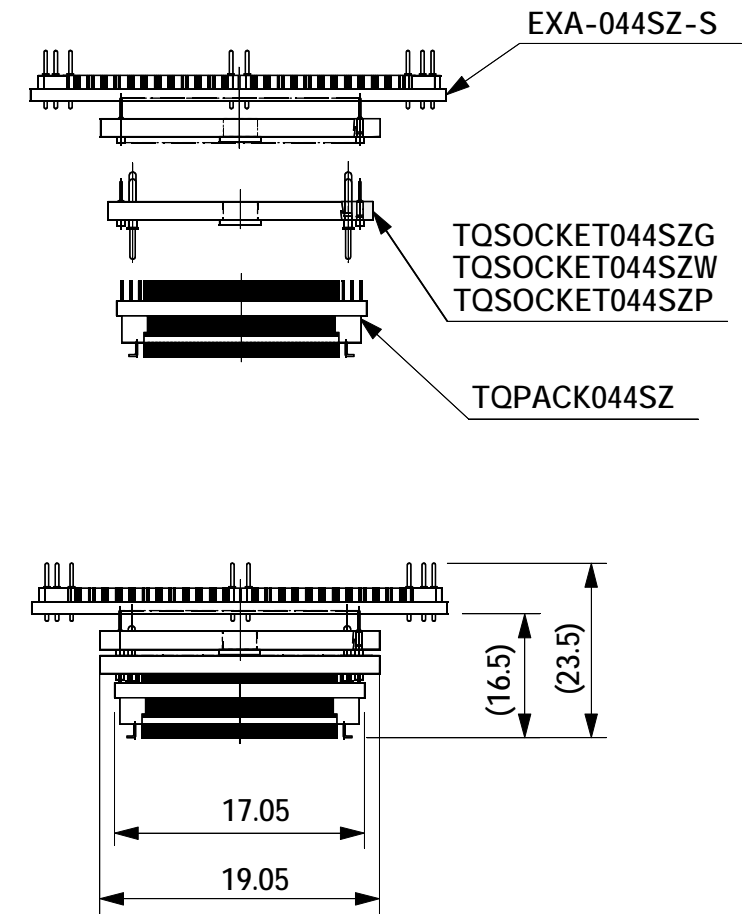


TOP VIEW



SIDE VIEW

TQPACK Application



CONNECTION

SOCKET	CHECK PIN CONNECTOR	SOCKET	CHECK PIN CONNECTOR
1	40	23	92
GND	41	GND	93
2	42	24	94
GND	43	GND	95
3	44	25	96
GND	45	GND	97
NC	46	NC	98
GND	47	GND	99
NC	48	NC	100
GND	49	GND	101
4	50	26	102
GND	51	GND	103
5	52	27	104
GND	53	GND	1
6	54	28	2
GND	55	GND	3
7	56	29	4
GND	57	GND	5
NC	58	NC	6
GND	59	GND	7
8	60	30	8
GND	61	GND	9
9	62	31	10
GND	63	GND	11
10	64	32	12
GND	65	GND	13
11	66	33	14
GND	67	GND	15
12	68	34	16
GND	69	GND	17
13	70	35	18
GND	71	GND	19
14	72	36	20
GND	73	GND	21
15	74	37	22
GND	75	GND	23
16	76	38	24
GND	77	GND	25
17	78	39	26
GND	79	GND	27
18	80	40	28
GND	81	GND	29
19	82	41	30
GND	83	GND	31
20	84	42	32
GND	85	GND	33
21	86	43	34
GND	87	GND	35
22	88	44	36
GND	89	GND	37
23	90	45	38
GND	91	GND	39

GND:7,8,59,60

Part No.	EXA-044SZ-S
IC package	Square
Pin count	44pin
Lead pitch	1.0mm
Unit	mm
Design / Date	H.Suzuki/Aug.08.'06
<b>TET</b> TOKYO ELETECH CORP.	