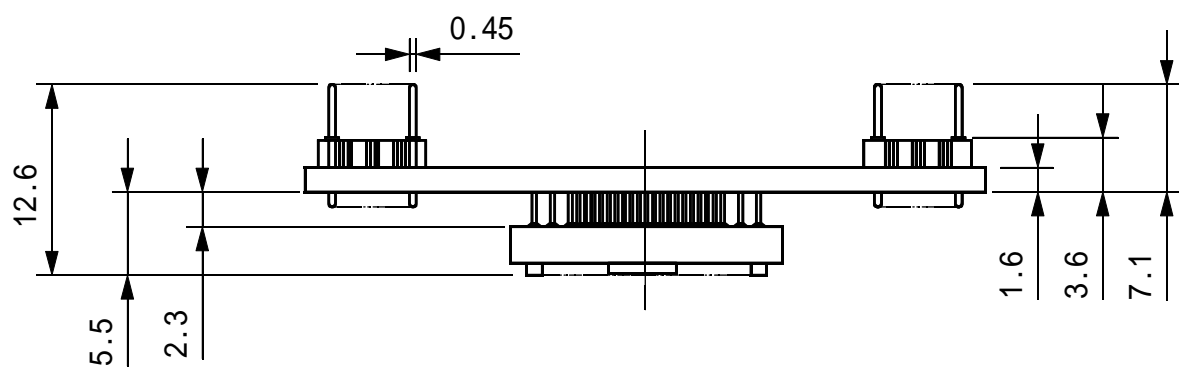
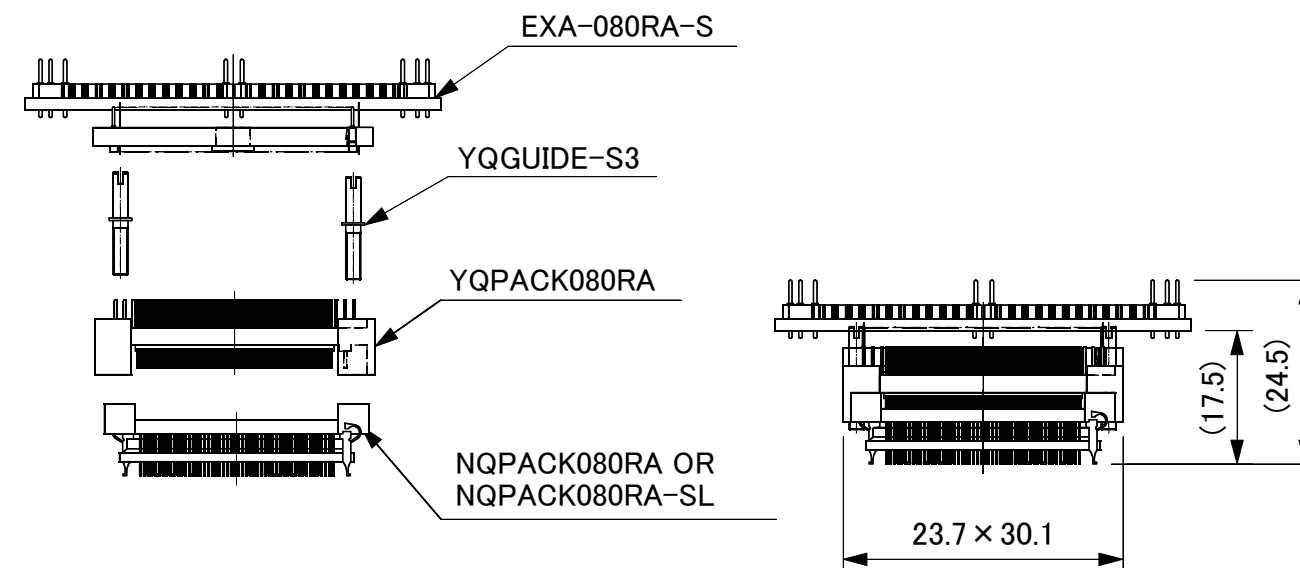


TOP VIEW

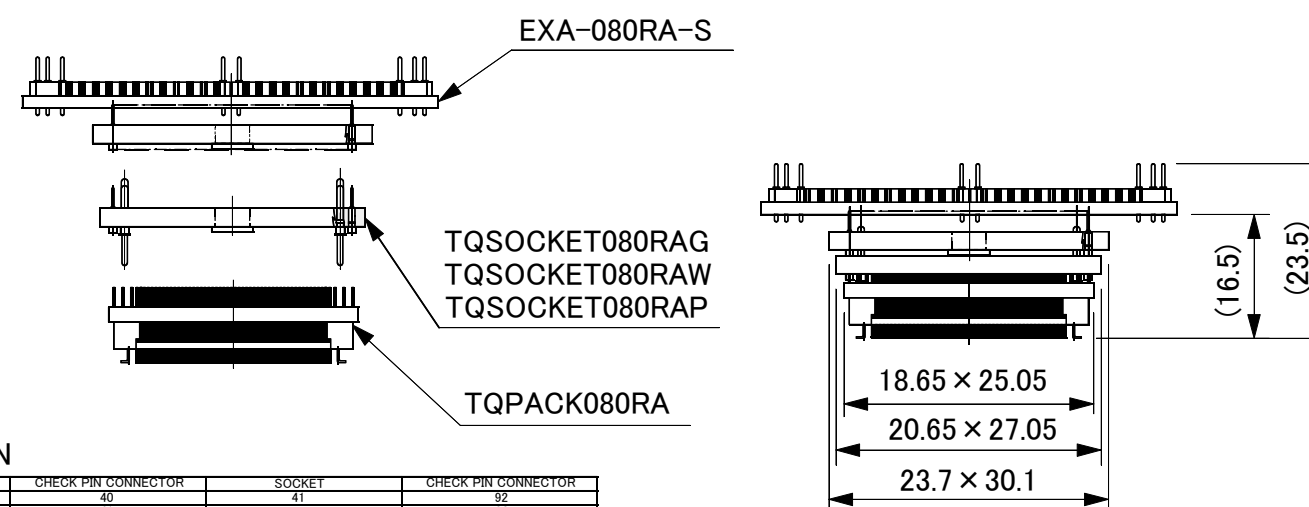


SIDE VIEW

NQPACK Application



TQPACK Application



CONNECTION

SOCKET	CHECK PIN CONNECTOR	SOCKET	CHECK PIN CONNECTOR
1	40	41	92
2	41	44	93
3	42	43	94
4	43	45	95
5	44	45	96
6	45	46	97
7	46	47	98
8	47	48	99
9	48	49	100
10	49	47	101
11	50	48	102
12	51	49	103
13	52	48	104
14	53	51	1
15	54	53	2
16	55	52	3
17	56	54	4
18	57	55	5
19	58	57	6
20	59	56	7
21	60	58	8
22	61	58	9
23	62	59	10
24	63	58	11
25	64	58	12
26	65	60	13
27	66	60	14
28	67	62	15
29	68	61	16
30	69	64	17
31	70	63	18
32	71	63	19
33	72	65	20
34	73	67	21
35	74	66	22
36	75	69	23
37	76	68	24
38	77	70	25
39	78	72	26
40	79	71	27
41	80	74	28
42	81	74	29
	82	73	30
	83	75	31
	84	76	32
	85	77	33
	86	76	34
	87	79	35
	88	78	36
	89	80	37
	90	80	38
	91	2	39

GND:7,8,59,60

Part No.	EXA-080RA-S
IC package	Rectangle
Pin count	80pin
Lead pitch	0.8mm
Unit	mm
Design / Date	H.Suzuki/Aug.08.'06
TET TOKYO ELETECH CORP.	