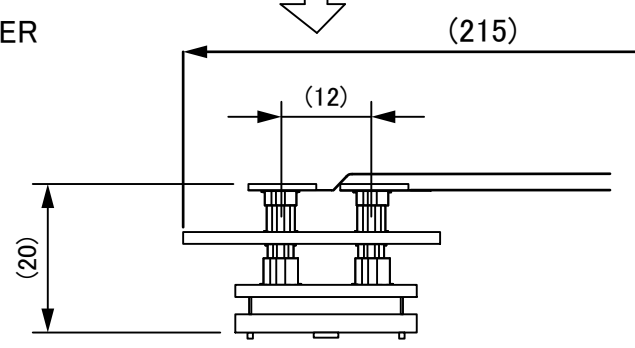


CONNECTION

YQSOCKET	CHECK PIN
1	→ 1
⋮	⋮
80	→ 80

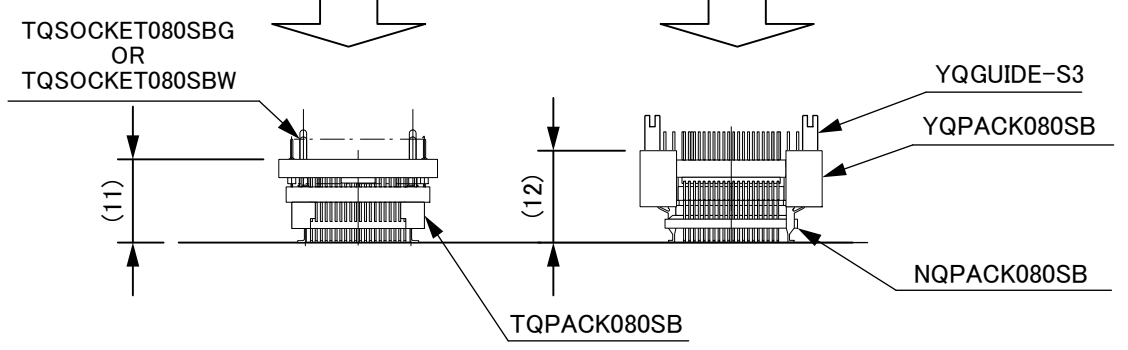
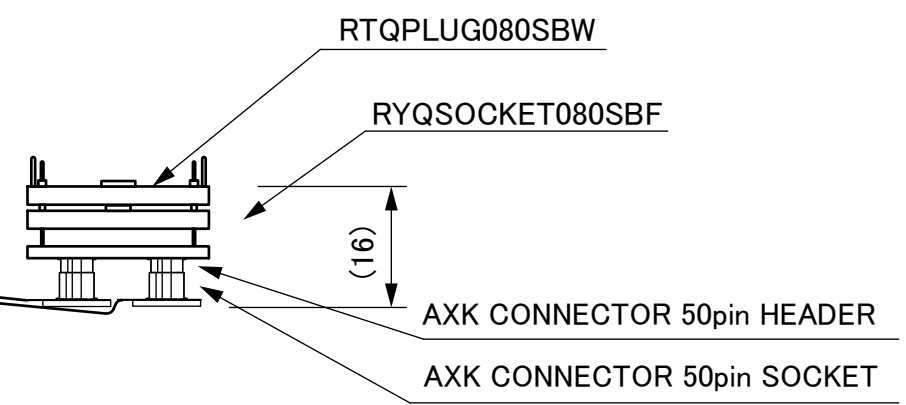
Recommended a Connector of CHECK PIN ADAPTOR
 * JC ELECTRONICS CORPORATION
 • PLUG: ISS-D24-G081KO-T018 (2 PIECES)
 ISS-D32-G081KO-T018
 • SOCKET: SGST-D24-N14GT (2 PIECES)
 SGST-D32-N14GT



AXK CONNECTOR 50pin HEADER
 AXK CONNECTOR 50pin SOCKET

50pin FPC (2 PIECES)

YQSOCKET080SBF



ACCESSORIES: GND WIRE (2 PIECES)

Part No.	TEC-080SB-KC
IC package	Square
Pin count	80pin
Lead pitch	0.65mm
Unit	mm
Design / Date	M.miura/Feb.28.'08
TET TOKYO ELETECH CORP.	