

CHECK PIN ADAPTER

CONNECTION

YQSOCKET	CHECK PIN
1	→ 1
⋮	→ ⋮
120	→ 120

Recommended a Connector of CHECK PIN ADAPTOR

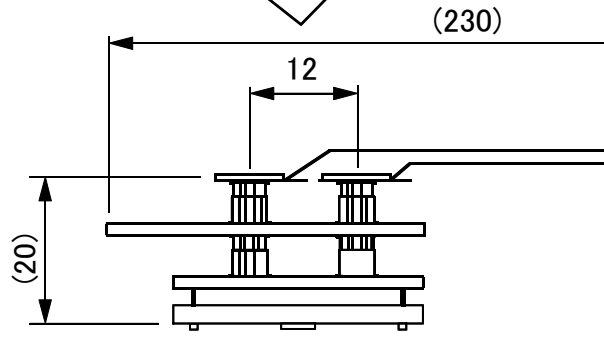
* JC ELECTRONICS CORPORATION

• PLUG: ISS-D40-G081KO-T018 (3 PIECES)

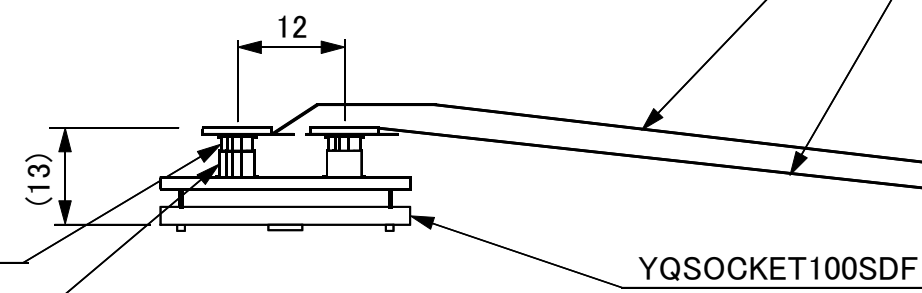
• SOCKET: SGST-D40-N14GT (3 PIECES)

AXK CONNECTOR 80pin HEADER

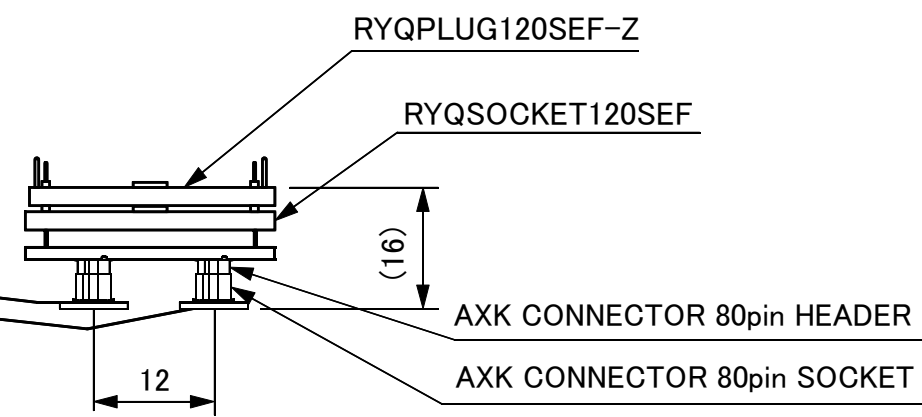
AXK CONNECTOR 80pin SOCKET



80pin FPC (2 PIECES)



YQSOCKET100SDF

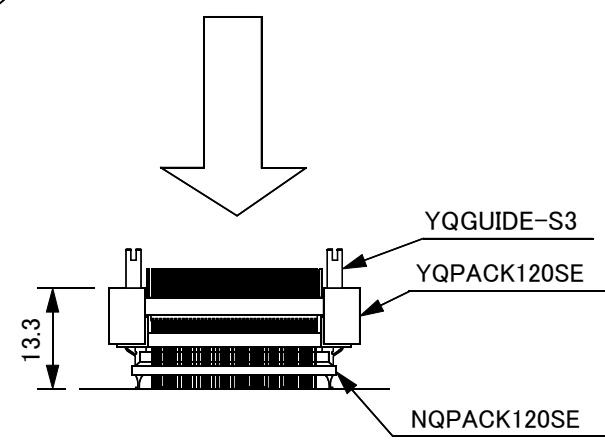


RYQPLUG120SEF-Z

RYQSOCKET120SEF

AXK CONNECTOR 80pin HEADER

AXK CONNECTOR 80pin SOCKET



YQGUIDE-S3

YQPACK120SE

NQPACK120SE

13.3

ACCESSORIES: GND WIRE (2 PIECES)

Part No.	TEC-120SE-KC
IC package	Square
Pin count	120pin
Lead pitch	0.4mm
Unit	mm
Design / Date	Y.Oota/Mar.12.'07

TET TOKYO ELETECH CORP.