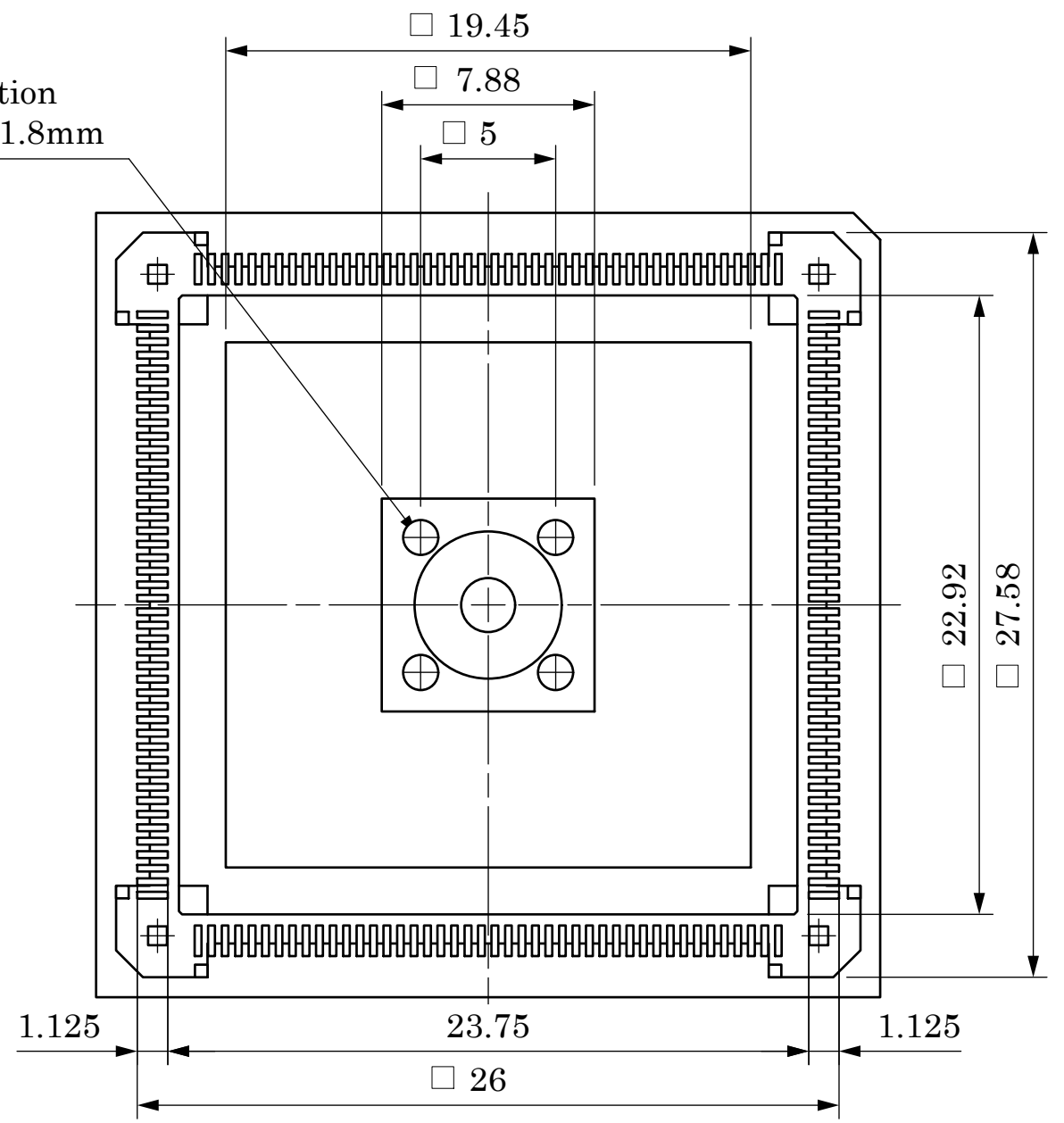


4-  $\text{Ø}1.3$   
 A projection  
 height : 1.8mm



**BOTTOM VIEW**

Part No.	<b>TQPACK176SD</b>
IC package	Square
Pin count	176Pin
Lead pitch	0.5mm
Unit	mm
Design / Date	M.Miura / Oct.20.'09
<b>TET</b> TOKYO ELETECH CORP.	