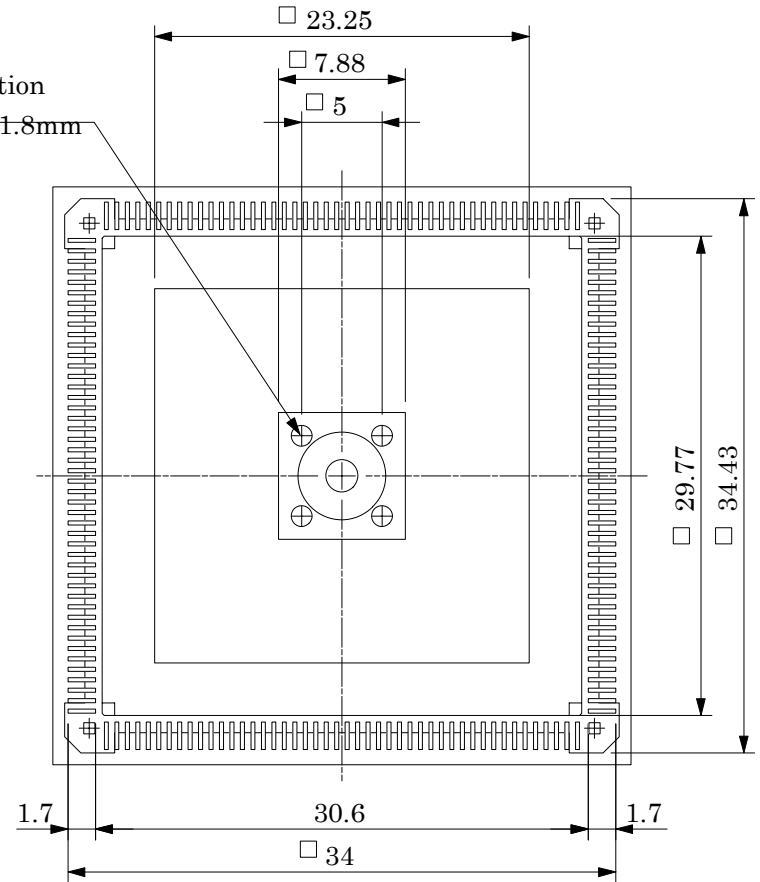
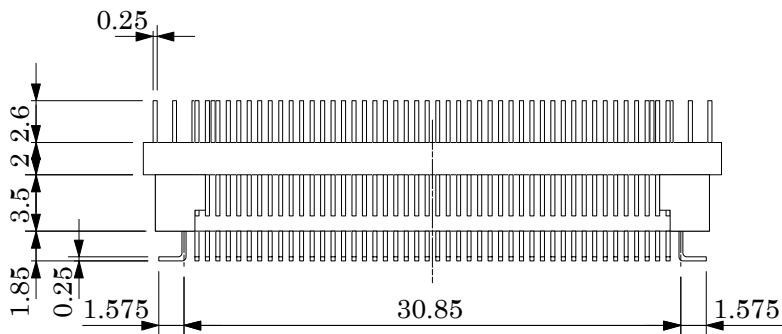


4- $\varnothing 1.3$
 A projection
 height : 1.8mm



BOTTOM VIEW



Part No.	TQPACK184SB	
IC package	Square	
Pin count	184Pin	
Lead pitch	0.65mm	
Unit : mm	Design : M.H	
TET TOKYO ELETECH CORP.		