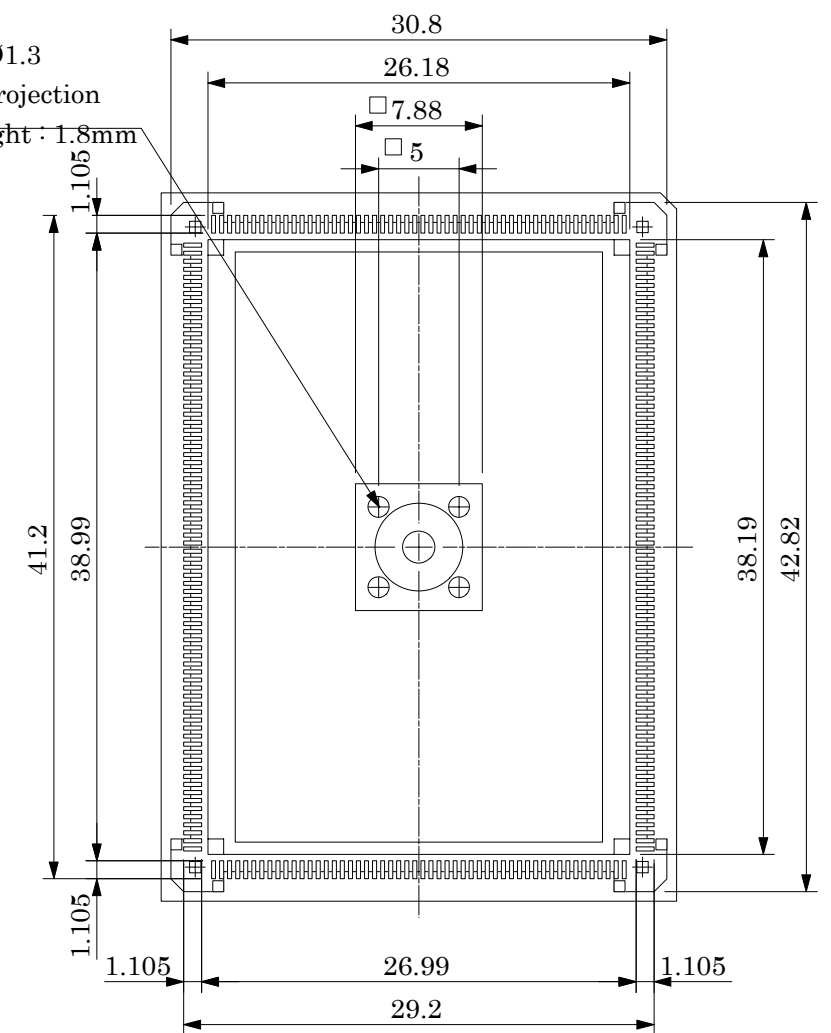


4- Ø1.3  
 A projection  
 height : 1.8mm



**BOTTOM VIEW**

Part No.	<b>TQPACK256RD</b>	
IC package	Rectangle	
Pin count	256Pin	
Lead pitch	0.5mm	
Unit : mm	Design : M.H	
<b>TET</b> TOKYO ELETECH CORP.		

